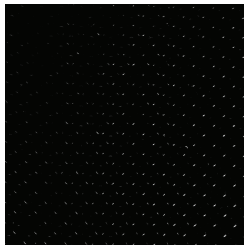
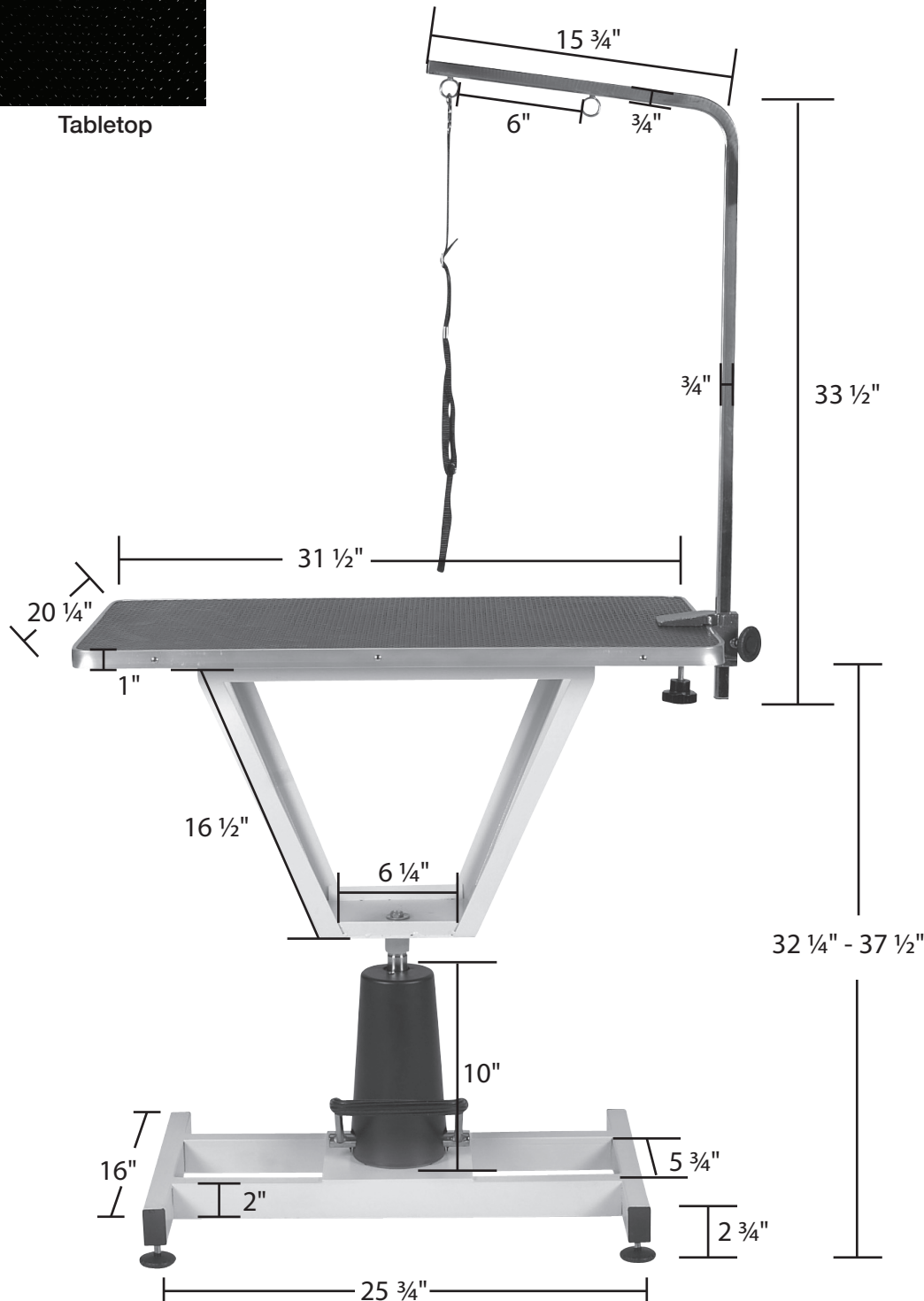


TP023 10 Master Equipment Value Lift Hydraulic Table White



Tabletop



Accessories Included:

- Grooming Arm with Clamp
- 20" Grooming Loop Black
- Leg Levelers (4)

Materials & Color:

- Table Frame: 18 gauge, 1.2mm thick steel. Ivory powder-coated finish.
- Tabletop: 3/4" MDF with black rubber matting. Aluminum trim.
- Grooming Arm: 19 gauge, 1.1mm thick type 304 stainless steel. Clamp is 18 gauge, 1.2mm thick iron with graphite powder-coated finish. Knobs are black polypropylene. Screws are galvanized iron.
- Foot Pedal: Iron with chrome plating and black rubber.

Other Features:

- Weight Capacity: 220 lbs.
- Rate of Descent: 0.79 inches/second.
- Rising Rate: Controlled by User